



UL1598 ASSEMBLY

Downlight Guide

Select the best configurations for your lighting projects
Find out what you need in minutes



4th Edition
July 2024

Tripar Downlight UL1598 Assemblies

After several requests from lighting OEMs, we added the Downlight UL1598-compliant Assemblies section to our online catalog to help clients select the best configurations for their lighting projects.

Tripar's online catalog features a full range of New Construction Assemblies; each including a dropdown allowing you to select from the most common configurations. Doing so changes both the images and component list to match and provides updated spec sheets showing the various configurations of each assembly on a single page.

This is a great tool to assist both you and our Sales Team by displaying different UL1598 assemblies options we can offer you. This new visualization tool shows how our parts can be assembled in multiple ways to meet your needs. All lighting components comply with UL1598 requirements; the standard specifications for downlight luminaires in North America.

>> Most of our assemblies are in stock and shipped in 48 hours.

**For any questions, recommendations, free samples
or to book a free UL1598 consultation,
contact us at lighting@triparinc.com**

Table of contents

Assembly 1241 Series Small platform 7-7/16"x 10-3/32", Non I.C.	4
Assembly 1231 Series Standard platform, 8-5/8"x 12-1/2", Integral J-Box w/ Z-Bracket, Non I.C. & I.C.	5
Assembly 1531 Series Standard platform, 8-5/8"x 12-1/2", Integral J-Box, Non I.C.	6
Assembly 1775 Series Mini Assembly, 8-5/8"x 12-1/2" x 2-1/4" H, Airtight I.C.	7
Assembly 1586 Series Ultra Shallow Assembly, Shallow, 8-5/8"x 12-1/2" x 3-1/2" H, Airtight I.C.	8
Assembly 1286 Series Standard Assembly, 8-5/8" x 12-1/2" x 4-3/4" or 6-3/4" H, Airtight I.C.	9
NEW! Trapezoid 1781/1785 Series Trapezoid Assembly, 8-5/8" x 10-1/2" x 4-3/4" or 6-3/4" H, Airtight I.C.	10
Assembly 1483 Series Large platform, 12-1/8" x 15-9/16", Integral J-Box w/ Z-Bracket, Non I.C.	11
Assembly 1486 Series Large Assembly, 12-1/8" x 15-9/16" x 4 height options, Airtight I.C.	12
Assembly 1401 Series Standard Plaster Ring Assembly, 6" & 8", Non I.C.	14
Assembly 1405 Series Driver Grid Plate Assembly, 12-1/8" x variable width, Non I.C.	15

Please note that all the above assemblies are presented in ASCENDING ORDER OF SIZE

Some items shown in this catalog are protected by one or more patents; visit: www.tri-parinc.com/pat

Our online catalogue permits you to select the assembly version configuration from dropdowns, which automatically change the illustration parts list to match

Vertical adjustment & volume expansion available on all assembly options.

Assembly 1241 Series

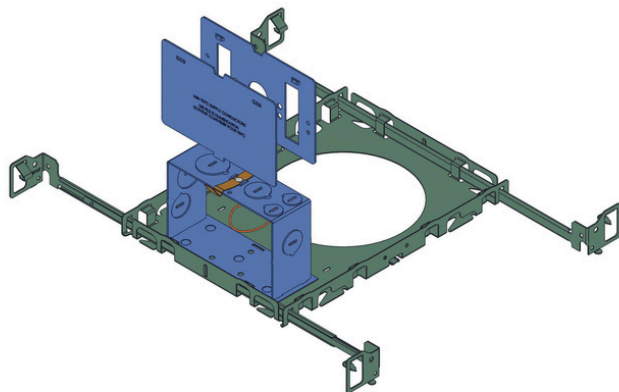
Small platform 7-7/16" x 10-3/32"

(with variations for vertical adjustment and 4" tall I.C. Box)



Small Assembly, Non I.C.

SKU: ASSY-1241-1A



Parts Included

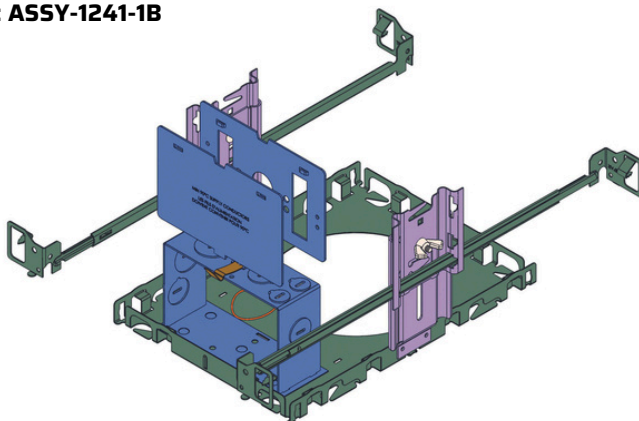
- 1 x Plaster Frame #1241-XX series
- 1 x Internal Cover #1242-25
- 1 x External Cover #1242
- 2 x Sliding Bracket #1253
- 2 x Caterpillar Bracket #1054
- 2 x Bar Hanger #1287

Optional

- 2 x Sliding Bracket #1253
- 2 x Caterpillar Bracket #1054
- 2 x Butterfly Bracket #1254

Small Assembly, Non I.C. w/ Vertical Adjustment

SKU: ASSY-1241-1B



Parts Included

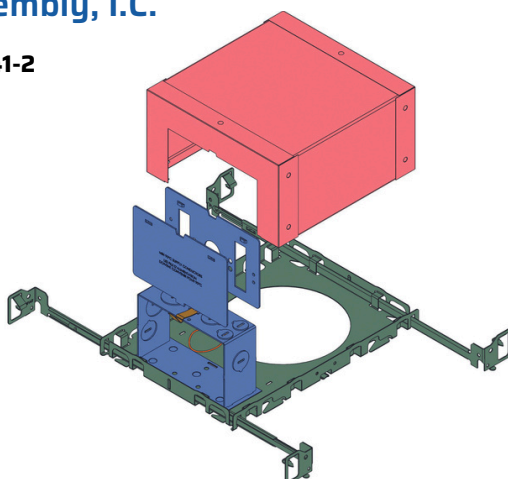
- 1 x Plaster Frame #1231-XX series
- 1 x Junction Box #1232 series
- 1 x Internal Cover #1242-25
- 1 x External Cover #1242
- 2 x Sliding Bracket #1253
- 2 x Caterpillar Bracket #1054
- 2 x Bar Hanger #1287

Optional

- 2 x Butterfly Bracket #1254

Small Assembly, I.C.

SKU: ASSY-1241-2



Parts Included

- 1 x Plaster Frame #1241-XX series
- 1 x 4" Tall I.C.Box #1251-50
- 1 x Internal Cover #1242-25
- 1 x External Cover #1242
- 2 x Bar Hanger #1287

Optional

- 2 x Sliding Bracket #1253
- 2 x Caterpillar Bracket #1054
- 2 x Butterfly Bracket #1254

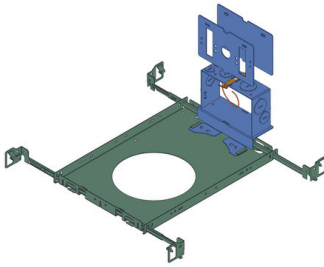
Assembly 1231 Series

Standard platform **8-5/8" x 12-1/2"** with Integral J-Box w/ Z-Bracket
(with Volume Expansion, Vertical Adjustment, Large J-Box and Knockdown I.C. Box)



J-Box w/ Z-Bracket, Non I.C.

SKU: ASSY-1231-1A



Parts Included

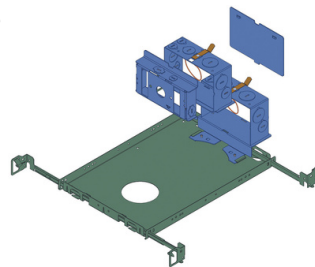
- 1 x Plaster Frame #1231-XX series
- 1 x Junction Box #1232
- 1 x Internal Cover #1242-25
- 1 x External Cover #1242
- 2 x Bar Hanger #1287

Optional

- 2 x Sliding Bracket #1253
- 2 x Caterpillar Bracket #1054
- 2 x Butterfly Bracket #1254
- 4 x Commercial Bar Hanger #1487

J-Box w/ Volume Expansion

SKU: ASSY-1231-2A



Parts Included

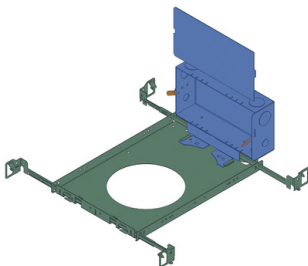
- 1 x Plaster Frame #1231-XX series
- 1 x Junction Box #1232
- 1 x Internal Cover #1242-25B
- 1 x external Cover #1242
- 1 x Junction Box extender #1232E
- 2 x Bar Hanger #1287

Optional

- 2 x Sliding Bracket #1253
- 2 x Caterpillar Bracket #1054
- 2 x Butterfly Bracket #1254
- 4 x Commercial Bar Hanger #1487

Large J-Box, Non I.C.

SKU: ASSY-1231-3A



Parts Included

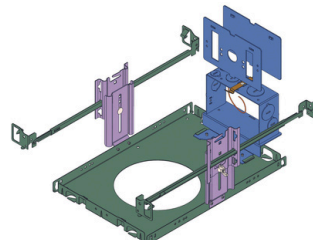
- 1 x Plaster Frame #1231-XX series
- 1 x Large Junction Box #1432
- 1 x Cover #1442
- 2 x Bar Hanger #1287

Optional

- 2 x Sliding Bracket #1253
- 2 x Caterpillar Bracket #1054
- 2 x Butterfly Bracket #1254
- 4 x Commercial Bar Hanger #1487

J-Box w/ Z-Bracket, Non I.C., Vertical Adjustment

SKU: ASSY-1231-1B / 2B / 3B / 4B



Parts Included

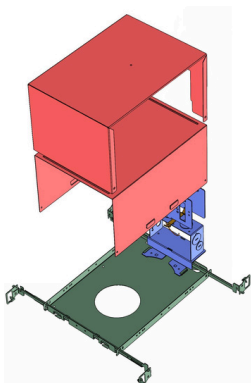
- 1 x Plaster Frame #1231-XX series
- 1 x Junction Box #1232
- 1 x Internal Cover #1242-25
- 1 x External Cover #1242
- 2 x Sliding Bracket #1253
- 2 x Caterpillar Bracket #1054
- 2 x Bar Hanger #1287

Optional

- 2 x Butterfly Bracket #1254
- 4 x Commercial Bar Hanger #1487

Knockdown I.C. 6-3/4"H

SKU: ASSY-1231-1A



Parts Included

- 1 x Plaster Frame #1231-XX series
- 1 x Junction Box #1232
- 1 x Internal Cover #1242-25
- 1 x External Cover #1242
- 2 x Bar Hanger #1287

Optional

- 2 x Sliding Bracket #1253
- 2 x Caterpillar Bracket #1054
- 2 x Butterfly Bracket #1254

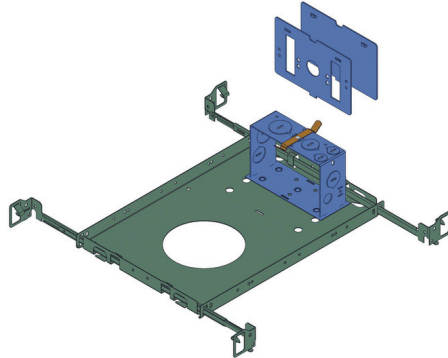
Assembly 1531 Series

Standard platform **8-5/8" x 12-1/2"** with Integral J-Box, Non I.C.
(with variations for Volume Expansion and Vertical Adjustment)



Std. Assembly Integral J-Box, Non I.C.

SKU: ASSY-1531-1A



Parts Included

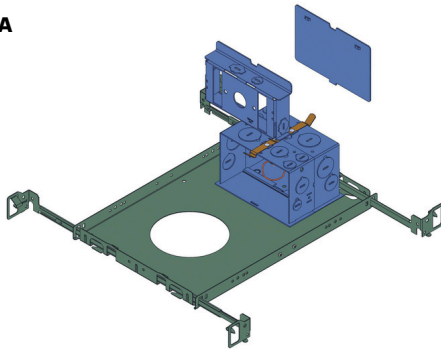
- 1 x Plaster Frame #1531-XX series
- 1 x Internal Cover #1242-25
- 1 x External Cover #1242
- 2 x Bar Hanger #1287

Optional

- 2 x Sliding Bracket #1253
- 2 x Caterpillar Bracket #1054
- 2 x Butterfly Bracket #1254
- 4 x Commercial Bar Hanger #1487

Std. Assembly Integral J-Box, Volume Expansion, Non I.C.

SKU: ASSY-1531-2A



Parts Included

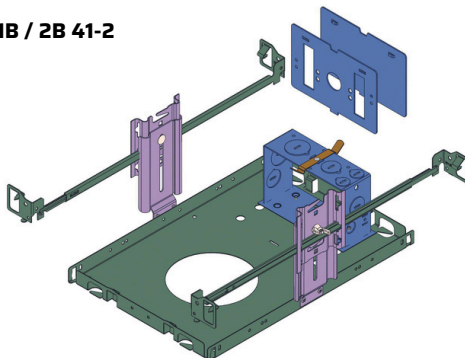
- 1 x Plaster Frame #1531-XX series
- 1 x Junction Box Extender #1232E
- 1 x Internal Cover #1242-25B
- 1 x External Cover #1242
- 2 x Bar Hanger #1287

Optional

- 2 x Sliding Bracket #1253
- 2 x Caterpillar Bracket #1054
- 2 x Butterfly Bracket #1254
- 4 x Commercial Bar Hanger #1487

Std. Assembly Integral J-Box, Vertical Adjustment, Non I.C.

SKU: ASSY-1531-1B / 2B 41-2



Parts Included

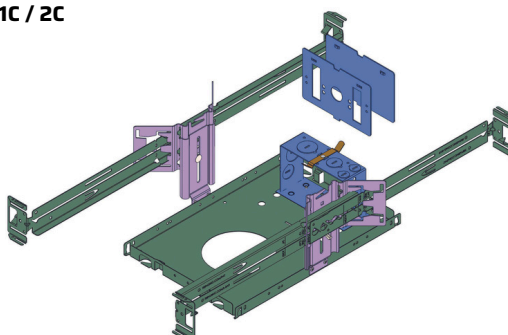
- 1 x Plaster Frame #1531-XX series
- 1 x Internal Cover #1242-25
- 1 x External Cover #1242
- 2 x Sliding Bracket #1253
- 2 x Caterpillar Bracket #1054
- 2 x Bar Hanger #1287

Optional

- 2 x Butterfly Bracket #1254
- 4 x Commercial Bar Hanger #1487

Std. Assembly Integral J-Box, Non I.C. & Vertical Adjustment -Commercial

SKU: ASSY-1531-1C / 2C



Parts Included

- 1 x Plaster Frame #1531-XX series
- 1 x Internal Cover #1242-25
- 1 x External Cover #1242
- 2 x Sliding Bracket #1253
- 2 x Butterfly Bracket #1254
- 4 x Commercial Bar Hanger #1487

Optional

- 2 x Bar Hanger #1287

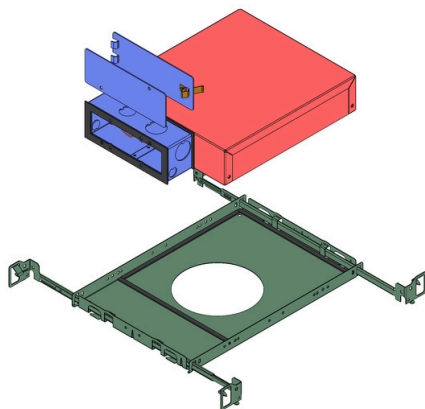
Assembly 1775 Series

Standard Assembly, Mini Airtight I.C. 8-5/8" x 12-1/2" x 2-1/4" H
(with variations for Vertical Adjustment)



Std. Assembly, Mini Airtight I.C.

SKU: ASSY-1775-1A



Parts Included

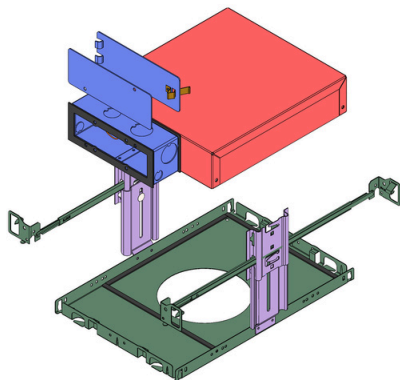
- 1 x Plaster Frame #1586-XXAT series
- 1 x I.C.Box #1775-11AT
- 1 x Internal Cover #1742-31
- 1 x External Cover #1742-30
- 2 x Bar Hanger #1287

Optional

- 2 x Sliding Bracket #1253
- 2 x Caterpillar Bracket #1054
- 2 x Butterfly Bracket #1254
- 4 x Commercial Bar Hanger #1487

Mini Airtight I.C. w/ Vertical Adjustment

SKU: ASSY-1775-1B



Parts Included

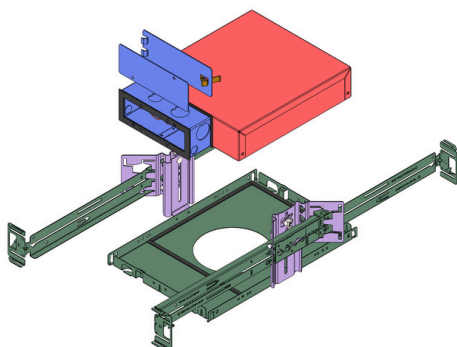
- 1 x Plaster Frame #1586-XXAT series
- 1 x I.C.Box #1775-11AT
- 1 x Internal Cover #1742-31
- 1 x External Cover #1742-30
- 2 x Sliding Bracket #1253
- 2 x Caterpillar Bracket #1054
- 2 x Bar Hanger #1287

Optional

- 2 x Butterfly Bracket #1254
- 4 x Commercial Bar Hanger #1487

Mini Airtight I.C. w/ Vertical Adjustment

SKU: ASSY-1775-1C



Parts Included

- 1 x Plaster Frame #1586-XXAT series
- 1 x I.C.Box #1775-11AT
- 1 x Internal Cover #1742-31
- 1 x External Cover #1742-30
- 2 x Sliding Bracket #1253
- 2 x Butterfly Bracket #1254
- 4 x Commercial Bar Hanger #1487

Optional

- 2 x Bar Hanger #1287

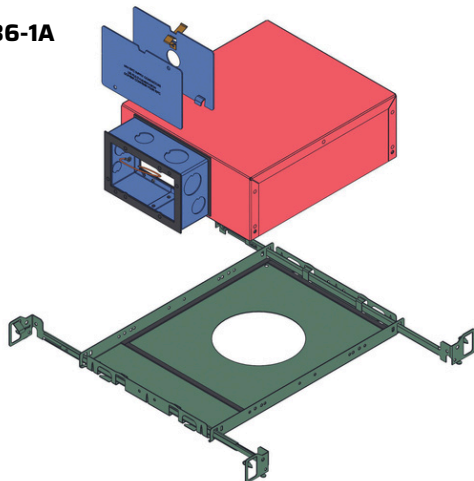
Assembly 1586 Series

Standard Assembly, Airtight I.C. Ultra Shallow **8-5/8" x 12-1/2" x 3-1/2" H**
(with variations for Vertical Adjustment)



Std. Assembly, Airtight I.C. Ultra Shallow

SKU: ASSY-1586-1A



Parts Included

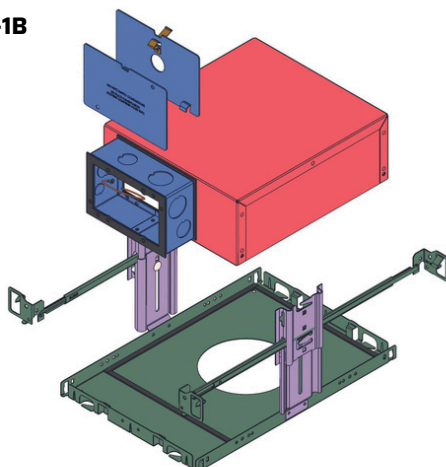
- 1 x Plaster Frame #1586-XXAT series
- 1 x I.C.Box #1485-11AT
- 1 x Internal Cover #1242-31
- 1 x External Cover #1242-30
- 2 x Bar Hanger #1287

Optional

- 2 x Sliding Bracket #1253
- 2 x Caterpillar Bracket #1054
- 2 x Butterfly Bracket #1254
- 4 x Commercial Bar Hanger #1487

Airtight I.C. Ultra Shallow w/ Vertical Adjustment

SKU: ASSY-1586-1B



Parts Included

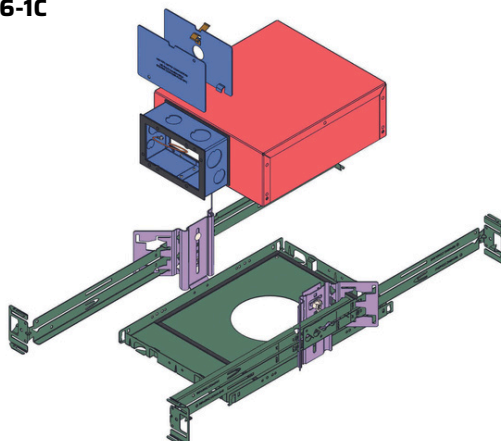
- 1 x Plaster Frame #1586-XXAT series
- 1 x I.C.Box #1485-11AT
- 1 x Internal Cover #1242-31
- 1 x External Cover #1242-30
- 2 x Sliding Bracket #1253
- 2 x Caterpillar Bracket #1054
- 2 x Bar Hanger #1287

Optional

- 2 x Butterfly Bracket #1254
- 4 x Commercial Bar Hanger #1487

Airtight I.C. Ultra Shallow w/ Vertical Adjustment

SKU: ASSY-1586-1C



Parts Included

- 1 x Plaster Frame #1586-XXAT series
- 1 x I.C.Box #1485-11AT
- 1 x Internal Cover #1242-31
- 1 x External Cover #1242-30
- 2 x Sliding Bracket #1253
- 2 x Butterfly Bracket #1254
- 4 x Commercial Bar Hanger #1487

Optional

- 2 x Bar Hanger #1287

Assembly 1286 Series

Standard Assembly **8-5/8" x 12-1/2" x 4-3/4" or 6-3/4" H**, Airtight I.C.
(with variations for Large J-Box and Vertical Adjustment)



Shallow Airtight I.C. 4-3/4"

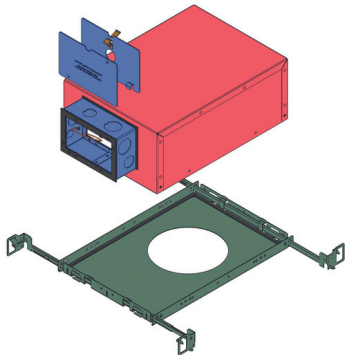
SKU: ASSY-1286-2A

Parts Included

- 1 x Plaster Frame #1286-XXAT series
- 1 x Shallow I.C.Box #1685-11AT
- 1 x Internal Cover #1242-31
- 1 x External Cover #1242-30
- 2 x Bar Hanger #1287

Optional

- 2 x Sliding Bracket #1253
- 2 x Caterpillar Bracket #1054
- 2 x Butterfly Bracket #1254
- 4 x Commercial Bar Hanger #1487



Shallow Airtight I.C., Vertical Adjustment

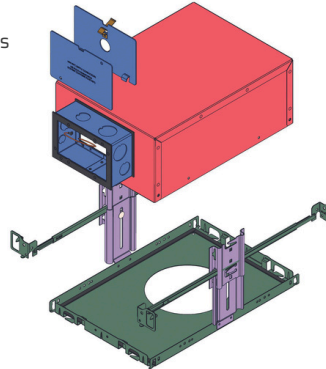
SKU: ASSY-1286-2B

Parts Included

- 1 x Plaster Frame #1286-XXAT series
- 1 x I.C.Box #1685-11AT
- 1 x Internal Cover #1242-31
- 1 x External Cover #1242-30
- 2 x Sliding Bracket #1253
- 2 x Caterpillar Bracket #1054
- 2 x Bar Hanger #1287

Optional

- 2 x Butterfly Bracket #1254
- 4 x Commercial Bar Hanger #1487



Std. Airtight I.C. 6-3/4"

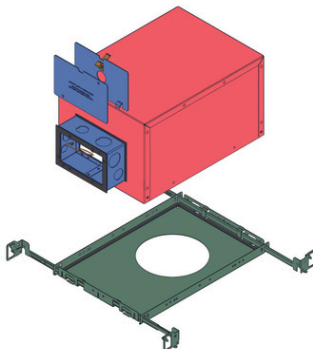
SKU: ASSY-1286-1A

Parts Included

- 1 x Plaster Frame #1286-XXAT series
- 1 x I.C.Box #1681-11AT
- 1 x Internal Cover #1242-31
- 1 x External Cover #1242-30
- 2 x Bar Hanger #1287

Optional

- 2 x Sliding Bracket #1253
- 2 x Caterpillar Bracket #1054
- 2 x Butterfly Bracket #1254
- 4 x Commercial Bar Hanger #1487



Std. Airtight I.C., Large J-Box

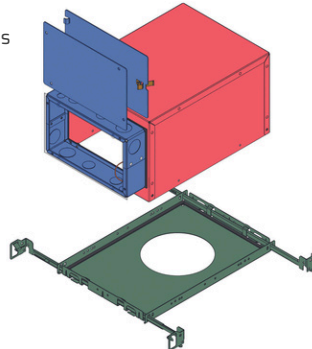
SKU: ASSY-1286-3A

Parts Included

- 1 x Plaster Frame #1286-XXAT series
- 1 x I.C.Box w/Large J-Box #1481-11AT
- 1 x Internal Cover #1442-31
- 1 x External Cover #1442-30
- 2 x Bar Hanger #1287

Optional

- 2 x Sliding Bracket #1253
- 2 x Caterpillar Bracket #1054
- 2 x Butterfly Bracket #1254
- 4 x Commercial Bar Hanger #1487



Std. Airtight I.C., Vertical Adjustment

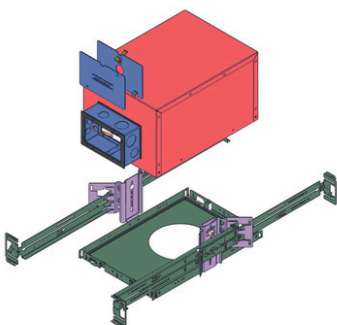
SKU: ASSY-1286-3C

Parts Included

- 1 x Plaster Frame #1286-XXAT series
- 1 x I.C.Box #1681-11AT
- 1 x Internal Cover #1242-31
- 1 x External Cover #1242-30
- 2 x Sliding Bracket #1253
- 2 x Butterfly Bracket #1254
- 4 x Commercial Bar Hanger #1487

Optional

- 2 x Caterpillar Bracket #1054
- 2 x Bar Hanger #1287





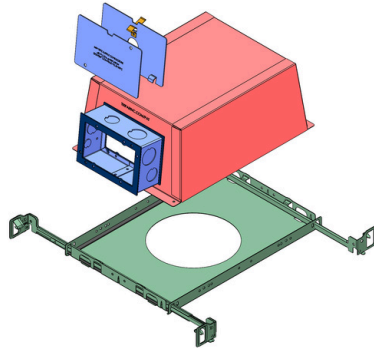
Trapezoid 1781/1785 Series

The first-ever stackable IC Box; save 50% on shipping costs
Trapezoid Assembly **8-1/2" W x 10-1/2" x 4-3/4" or 6-3/4" H**, Airtight I.C.
Patent pending



Shallow Airtight Trapezoid I.C. 4-3/4"

SKU: ASSY-1785-2A



Parts Included

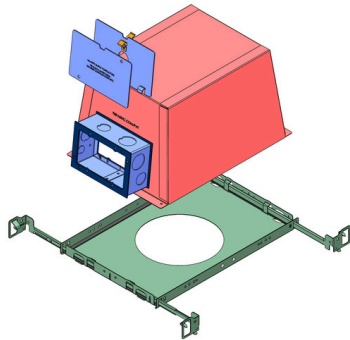
- 1 x Plaster Frame #1286-XXAT series
- 1 x Trapezoid I.C.Box #1785-11AT
- 1 x Junction Box #1281-92-1
- 1 x Internal Cover #1242-31
- 1 x External Cover #1242-30
- 2 x Bar Hanger #1287

Optional

- 2 x Sliding Bracket #1253
- 2 x Caterpillar Bracket #1054
- 2 x Butterfly Bracket #1254
- 4 x Commercial Bar Hanger #1487

Standard Airtight Trapezoid I.C. 6-3/4"

SKU: ASSY-1781-1A



Parts Included

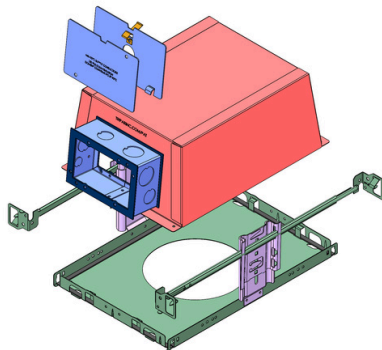
- 1 x Plaster Frame #1286-XXAT series
- 1 x Trapezoid I.C.Box #1781-11AT
- 1 x Junction Box #1281-92-1
- 1 x Internal Cover #1242-31
- 1 x External Cover #1242-30
- 2 x Bar Hanger #1287

Optional

- 2 x Sliding Bracket #1253
- 2 x Caterpillar Bracket #1054
- 2 x Butterfly Bracket #1254
- 4 x Commercial Bar Hanger #1487

Shallow Airtight Trapezoid I.C. 4-3/4", Vertical Adjustment

SKU: ASSY-1785-2B



Parts Included

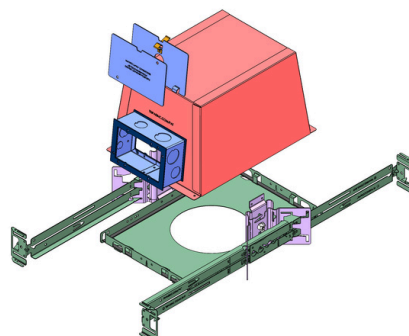
- 1 x Plaster Frame #1286-XXAT series
- 1 x Trapezoid I.C.Box #1785-11AT
- 1 x Junction Box #1281-92-1
- 1 x Internal Cover #1242-31
- 1 x External Cover #1242-30
- 2 x Sliding Bracket #1253
- 2 x Butterfly Bracket #1254
- 4 x Commercial Bar Hanger #1487

Optional

- 2 x Caterpillar Bracket #1054
- 2 x Bar Hanger #1287

Standard Airtight Trapezoid I.C. 6-3/4", Vertical Adjustment

SKU: ASSY-1781-1C



Parts Included

- 1 x Plaster Frame #1286-XXAT series
- 1 x Trapezoid I.C.Box #1781-11AT
- 1 x Junction Box #1281-92-1
- 1 x Internal Cover #1242-31
- 1 x External Cover #1242-30
- 2 x Sliding Bracket #1253
- 2 x Butterfly Bracket #1254
- 4 x Commercial Bar Hanger #1487

Optional

- 2 x Caterpillar Bracket #1054
- 2 x Bar Hanger #1287

Assembly 1483 Series

Large platform **12-1/8" x 15-9/16"**, Integral J-Box w/ Z-Bracket, Non I.C.
(with Volume Expansion, Vertical Adjustment and Large J-Box)



J-Box w/ Z-Bracket, Non I.C.

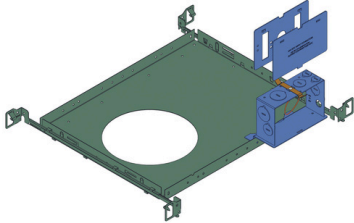
SKU: ASSY-1483-1A

Parts Included

- 1 x Plaster Frame #14831-XX series
- 1 x Junction Box #1232
- 1 x Internal Cover #1242-25
- 1 x External Cover #1242
- 2 x Bar Hanger #1287

Optional

- 2 x Sliding Bracket #1253
- 2 x Caterpillar Bracket #1054
- 2 x Butterfly Bracket #1254
- 4 x Commercial Bar Hanger #1487



Non I.C., Volume Expansion

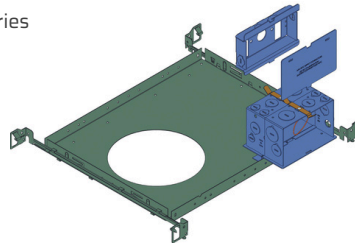
SKU: ASSY-1483-2A

Parts Included

- 1 x Plaster Frame #1483-1-XX series
- 1 x Junction Box #1232
- 1 x Junction Box Extender #1232E
- 1 x Internal Cover #1242-25B
- 1 x External Cover #1242
- 2 x Bar Hanger #1287

Optional

- 2 x Sliding Bracket #1253
- 2 x Caterpillar Bracket #1054
- 2 x Butterfly Bracket #1254
- 4 x Commercial Bar Hanger #1487



Large J-Box, Non I.C.

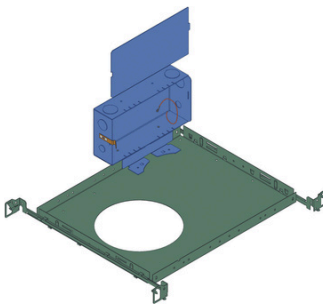
SKU: ASSY-1483-3A

Parts Included

- 1 x Plaster Frame #1483-1-XX series
- 1 x Large Junction Box #1432
- 1 x Cover #1442
- 2 x Bar Hanger #1287

Optional

- 2 x Sliding Bracket #1253
- 2 x Caterpillar Bracket #1054
- 2 x Butterfly Bracket #1254
- 4 x Commercial Bar Hanger #1487



Non I.C., Vertical Adjustment

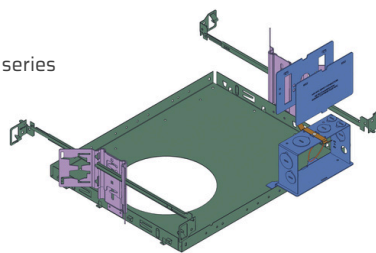
SKU: ASSY-1483-1B / 2B / 3B

Parts Included

- 1 x Plaster Frame #1483-1-XX series
- 1 x Junction Box #1232
- 1 x Internal Cover #1242-25
- 1 x External Cover #1242
- 2 x Sliding Bracket #1253
- 2 x Butterfly Bracket #1254
- 2 x Bar Hanger #1287

Optional

- 2 x Caterpillar Bracket #1054



Non I.C., Vertical Adjustment

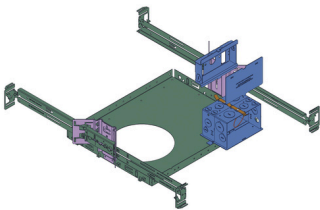
SKU: ASSY-1483-2C / 1C / 3C

Parts Included

- 1 x Plaster Frame #1483-1-XX series
- 1 x Junction Box #1232
- 1 x Internal Cover #1242-25B
- 1 x External Cover #1242
- 2 x Sliding Bracket #1253
- 2 x Butterfly Bracket #1254
- 4 x Commercial Bar Hanger #1487

Optional

- 2 x Caterpillar Bracket #1054
- 2 x Bar Hanger #1287



Assembly 1486 Series

Large Assembly, **12-1/8" x 15-9/16" x 4 height options**, Airtight I.C.
(with variations for Large J-Box and Vertical Adjustment)

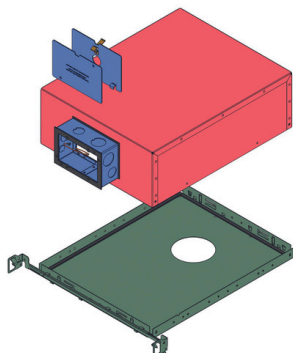


Ultra Shallow Airtight I.C. 5-1/8"

SKU: ASSY-1486-5A

Parts Included

- 1 x Plaster Frame #1486-1-XXAT series
- 1 x I.C.Box #1684-12AT
- 1 x Internal Cover #1242-31
- 1 x External Cover #1242-30
- 2 x Bar Hanger #1287



Optional

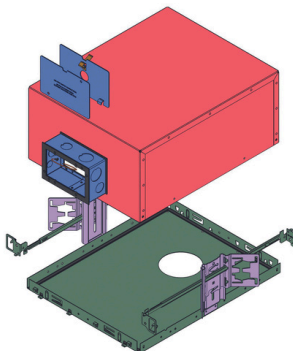
- 2 x Sliding Bracket #1253
- 2 x Butterfly Bracket #1254
- 4 x Commercial Bar Hanger #1487

Ultra Shallow AT I.C., Vertical Adjustment

SKU: ASSY-1486-3A

Parts Included

- 1 x Plaster Frame #1486-1-XXAT series
- 1 x I.C.Box #1684-12AT
- 1 x Internal Cover #1242-31
- 1 x External Cover #1242-30
- 2 x Sliding Bracket #1253
- 2 x Butterfly Bracket #1254
- 2 x Bar Hanger #1287



Optional

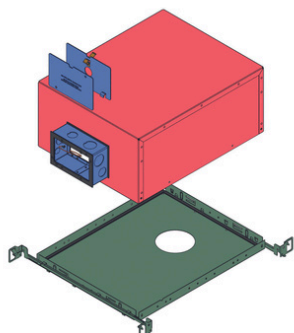
- 4 x Commercial Bar Hanger #1487

Shallow Airtight I.C. 6-3/4"

SKU: ASSY-1486-3A

Parts Included

- 1 x Plaster Frame #1486-1-XXAT series
- 1 x I.C.Box #1684-11AT
- 1 x Internal Cover #1242-31
- 1 x External Cover #1242-30
- 2 x Bar Hanger #1287



Optional

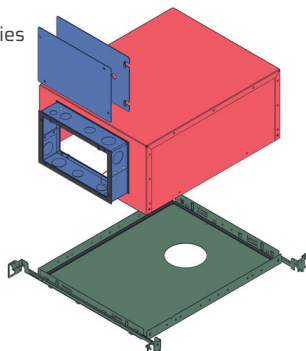
- 2 x Sliding Bracket #1253
- 2 x Butterfly Bracket #1254
- 4 x Commercial Bar Hanger #1487

Shallow Airtight I.C., Large J-Box

SKU: ASSY-1486-4A

Parts Included

- 1 x Plaster Frame #1486-1-XXAT series
- 1 x I.C.Box #1484-11AT
- 1 x Internal Cover #1442-31
- 1 x External Cover #1442-30
- 2 x Bar Hanger #1287



Optional

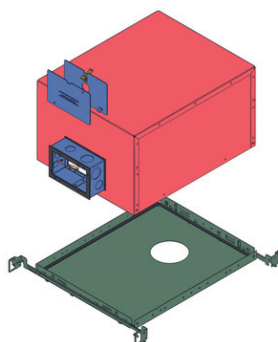
- 2 x Sliding Bracket #1253
- 2 x Butterfly Bracket #1254
- 4 x Commercial Bar Hanger #1487

Airtight I.C. 8-1/2"

SKU: ASSY-1486-1A

Parts Included

- 1 x Plaster Frame #1486-1-XXAT series
- 1 x I.C.Box #1682-11AT
- 1 x Internal Cover #1242-31
- 1 x External Cover #1242-30
- 2 x Bar Hanger #1287



Optional

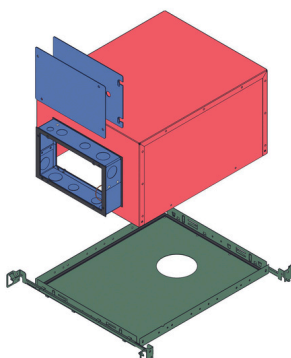
- 2 x Sliding Bracket #1253
- 2 x Butterfly Bracket #1254
- 4 x Commercial Bar Hanger #1487

Airtight I.C. 8-1/2", Large J-Box

SKU: : ASSY-1486-2A

Parts Included

- 1 x Plaster Frame #1486-1-XXAT series
- 1 x I.C.Box #1482-11AT
- 1 x Internal Cover #1442-31
- 1 x External Cover #1442-30
- 2 x Bar Hanger #1287



Optional

- 2 x Sliding Bracket #1253
- 2 x Butterfly Bracket #1254
- 4 x Commercial Bar Hanger #1487

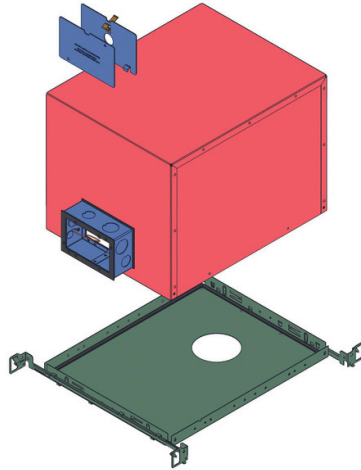
Assembly 1486 Series

Large Assembly, **12-1/8" x 15-9/16" x 4 height options**, Airtight I.C.
(with Large J-Box and Vertical Adjustment)



Tall Airtight I.C. 11-1/4"

SKU: ASSY-1486-6A



Parts Included

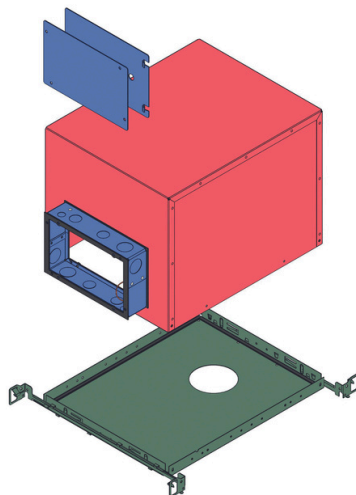
- 1 x Plaster Frame #1486-1-XXAT series
- 1 x I.C.Box #1682-21AT
- 1 x Internal Cover #1242-31
- 1 x External Cover #1242-30
- 2 x Bar Hanger #1287

Optional

- 2 x Sliding Bracket #1253
- 2 x Butterfly Bracket #1254
- 4 x Commercial Bar Hanger #1487

Tall, Airtight I.C., Large J-Box

SKU: ASSY-1486-7A



Parts Included

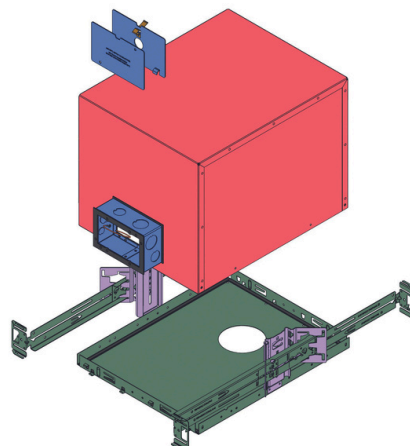
- 1 x Plaster Frame #1486-1-XXAT series
- 1 x I.C.Box #1482-21AT
- 1 x Internal Cover #1442-31
- 1 x External Cover #1442-30
- 2 x Bar Hanger #1287

Optional

- 2 x Sliding Bracket #1253
- 2 x Butterfly Bracket #1254
- 4 x Commercial Bar Hanger #1487

Tall, Airtight I.C., Vertical Adjustment

SKU: ASSY-1486-6C



Parts Included

- 1 x Plaster Frame #1486-1-XXAT series
- 1 x I.C.Box #1682-21AT
- 1 x Internal Cover #1242-31
- 1 x External Cover #1242-30
- 2 x Sliding Bracket #1253
- 2 x Butterfly Bracket #1254
- 4 x Commercial Bar Hanger #1487

Optional

- 2 x Bar Hanger #1287

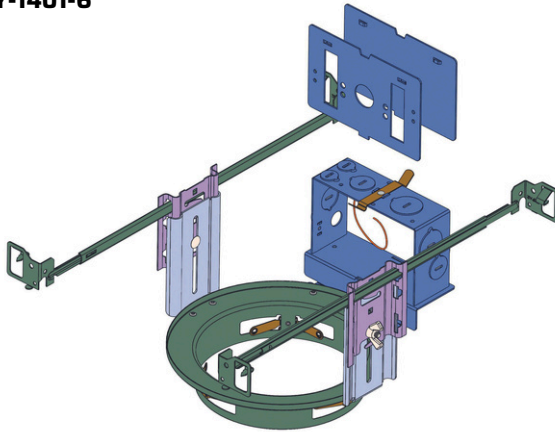
Assembly 1401 Series

Standard Plaster Ring Assembly, **6" & 8"**, Non I.C.



6" Plaster Ring Assembly, Non I.C.

SKU: ASSY-1401-6



Parts Included

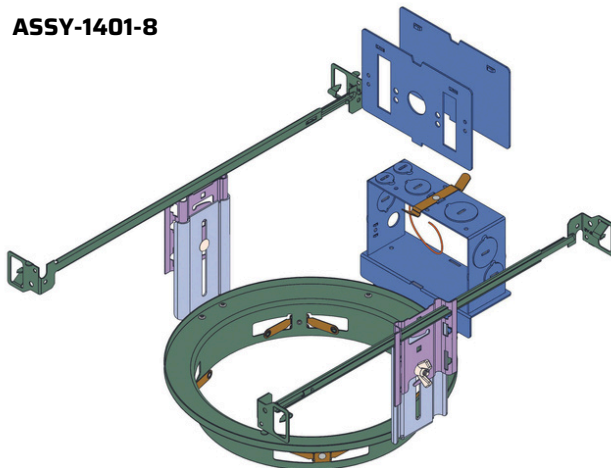
- 1 x 6" Plaster Ring #1401-1-6
- 1 x Junction Box #1232-15
- 2 x Sliding Bracket #1253-1
- 2 x Caterpillar Bracket #1054
- 1 x Internal Cover #1242-25
- 1 x External Cover #1242
- 2 x Bar Hanger #1287

Optional

- 2 x Butterfly Bracket #1254
- 4 x Commercial Bar Hanger #1487

8" Plaster Ring Assembly, Non I.C.

SKU: ASSY-1401-8



Parts Included

- 1 x 8" Plaster Ring #1401-1-8
- 1 x Junction Box #1232-15
- 2 x Sliding Bracket #1253-1
- 2 x Caterpillar Bracket #1054
- 1 x Internal Cover #1242-25
- 1 x External Cover #1242
- 2 x Bar Hanger #1287

Optional

- 2 x Butterfly Bracket #1254
- 4 x Commercial Bar Hanger #1487

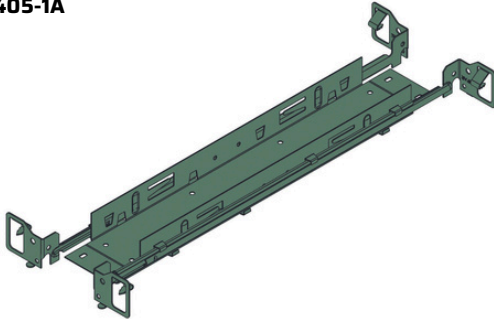
Assembly 1405 Series

Driver Grid Plate Assembly **12-1/8" x variable width**, Non I.C.



Non I.C. 12-1/8" x 2" (variable width) - Flat Ends

SKU: ASSY-1405-1A



Parts Included

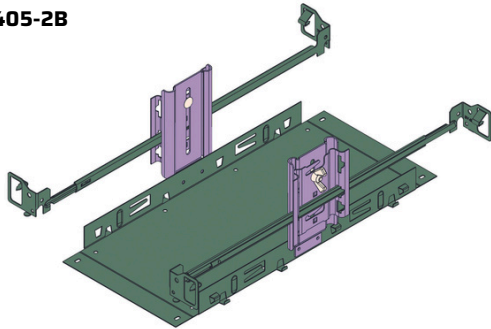
1 x Driver Plate #1405-2-FE
2 x Bar Hanger #1287

Optional

2 x Sliding Bracket #1253
2 x Caterpillar Bracket #1054
2 x Butterfly Bracket #1254

Non I.C. 12-1/8" x 6" (variable width) - Flat Ends with Vertical Adjustment

SKU: ASSY-1405-2B



Parts Included

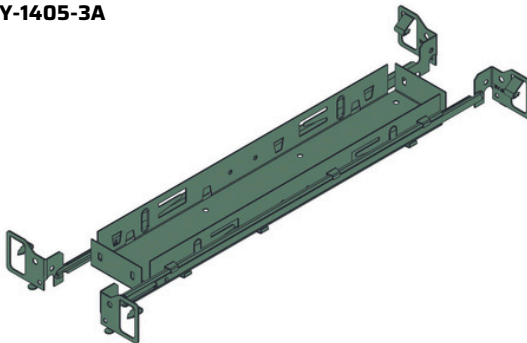
1 x Driver Plate #1405-6-FE
2 x Sliding Bracket #1253
2 x Caterpillar Bracket #1054
2 x Bar Hanger #1287

Optional

2 x Butterfly Bracket #1254

Non I.C. 12-1/8" x 2" (variable width) - Bent Ends

SKU: ASSY-1405-3A



Parts Included

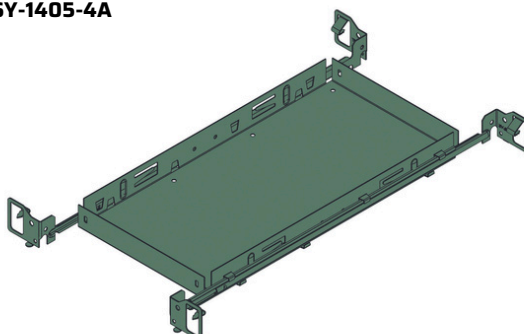
1 x Driver Plate #1405-2
2 x Bar Hanger #1287

Optional

2 x Sliding Bracket #1253
2 x Caterpillar Bracket #1054
2 x Butterfly Bracket #1254

Non I.C. 12-1/8" x 6" (variable width) - Bent Ends

SKU: ASSY-1405-4A

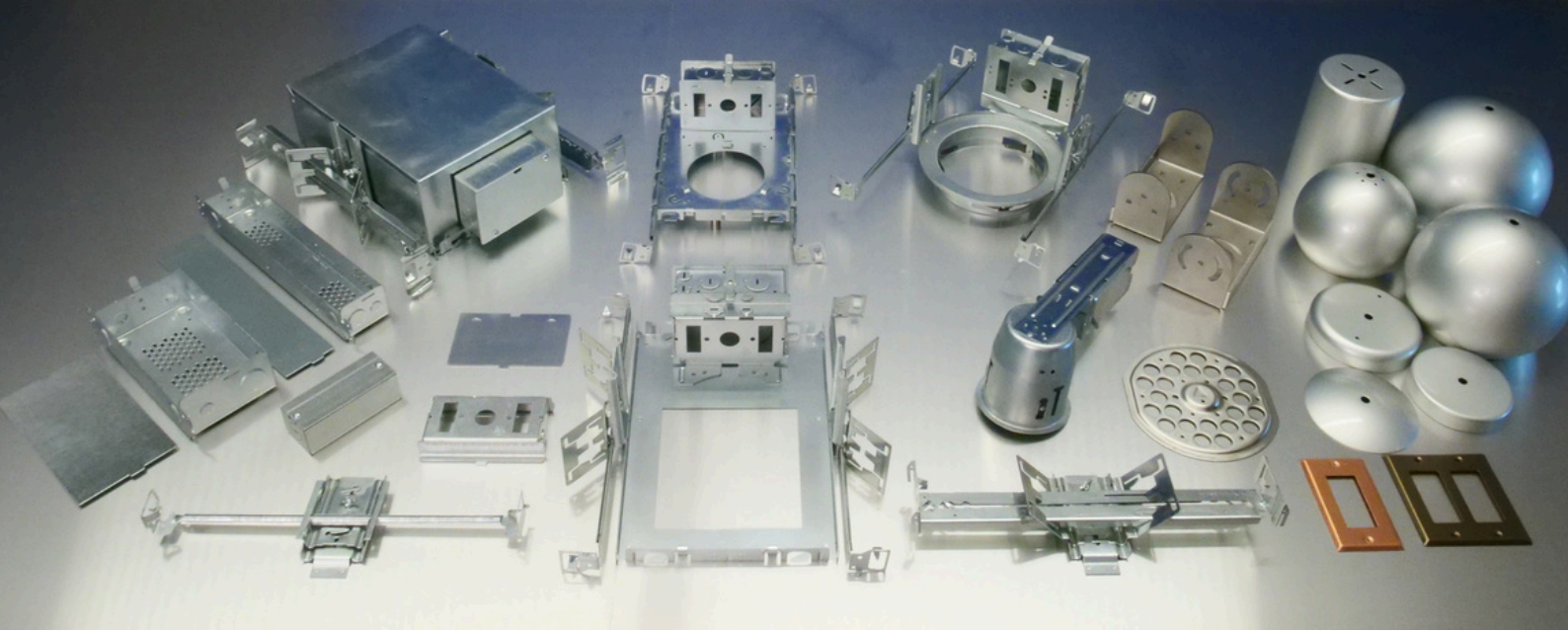


Parts Included

1 x Driver Plate #1405-6
2 x Bar Hanger #1287

Optional

2 x Sliding Bracket #1253
2 x Caterpillar Bracket #1054
2 x Butterfly Bracket #1254



Thank you

Hi friend,

Thanks for reading. We hope you found value in this guide.

If you have any specific requirements or do not see a readily available solution to your situation, just ask us. We are constantly modifying existing components to suit our client's needs and design requirements.

To get started today, contact us at lighting@triparinc.com.

Warmly,

A handwritten signature in black ink, reading "Lloyd S.", written in a cursive style.

Lloyd Sevak
President, Tripar Inc.
Celebrating 75 years in business

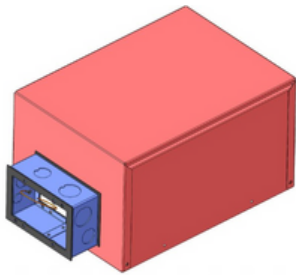


48-hour lead time

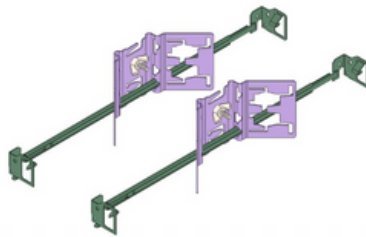
➤ Clickable product links

Request your free sample

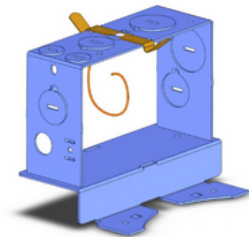
Like free stuff? Request your free sample of any of our standard stocked items. To order contact us at lighting@triparinc.com.



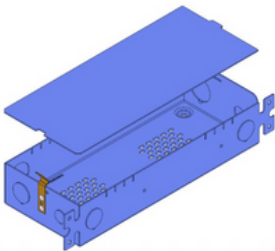
IC boxes



Support system kit



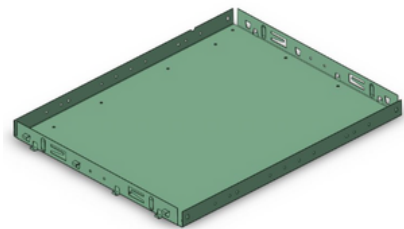
Junction boxes



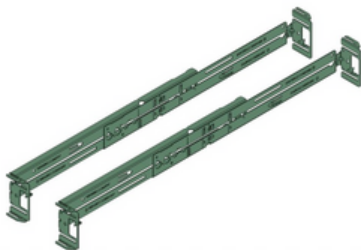
Driver boxes



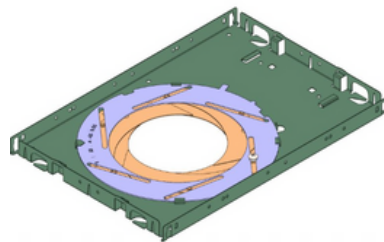
Airtight covers



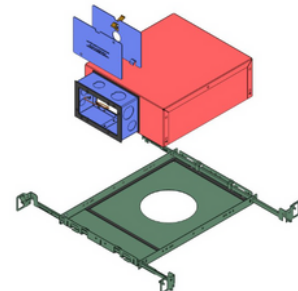
Plaster frames



Commercial L-Bars™



The Shutter™ p-frames



Assemblies

For a complete list of “in stock” items, visit our [online catalogue](#).

Recessed Lighting

Designed to UL1598 specifications

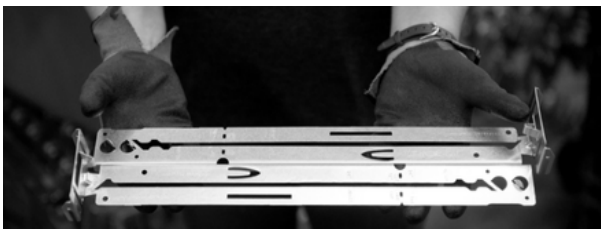


Tripar is the **gold standard** for architectural and commercial lighting OEMs who demand quality, perfection and precision every time.

We are constantly evolving to stay ahead of market trends to ensure we always offer the best products for the lighting market (and have over 9 patents.)

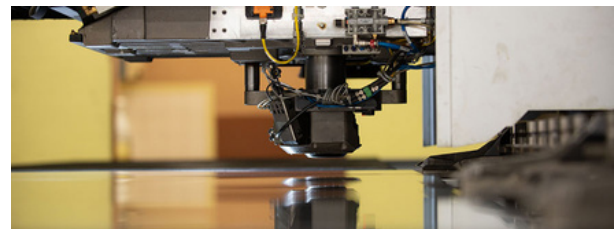
We offer a full range of metal parts for the lighting industry:

- ✓ IC Boxes
- ✓ Junction/Driver box
- ✓ Retrofit components
- ✓ Plaster Frames
- ✓ Accessories
- ✓ Light fixtures & parts



Metal Stamping

- ✓ 100 presses
- ✓ Progressive stamping
- ✓ 1600+ dies
- ✓ Drawing & deep drawing
- ✓ Embossing
- ✓ CNC milling



CNC Fabrication

- ✓ 2 CNC laser
- ✓ CNC laser/punch
- ✓ 7 press brake
- ✓ 3 CNC punch press
- ✓ Spot welding
- ✓ Metal assembly

The Tripar Advantage

We work with hundreds of OEM clients to achieve the most innovative CNC and metal stamped products at the best value. Tripar is one of the few suppliers that offers **full hybrid manufacturing**: CNC, metal stamping, or a combination of both processes to reduce unit costs. We produce a vast range of metal parts and products in accordance to OEM standards with quantities from prototypes to millions of units annually. We do it all: design, engineering, fabrication, QA/QC, painting, assembly, packaging, and more.

Proudly serving 350+ clients in the US, Canada, Europe and Asia



HVAC



Warehouse Racking



Appliances/Furniture



Aerospace



T: 514 648 7471 | Toll-Free: 1800 361 0938 | TriparInc.com
9750 Boul. Maurice-Duplessis, Montreal, QC H1C 1G1