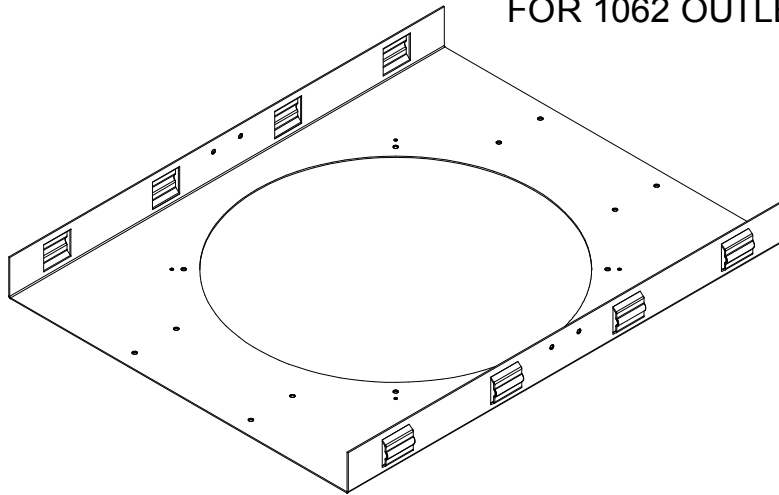


1061

PLASTER FRAME, CUSTOM

FOR 1062 OUTLET BOX



ACCEPTS Z1653  
ROTATING CLIP

